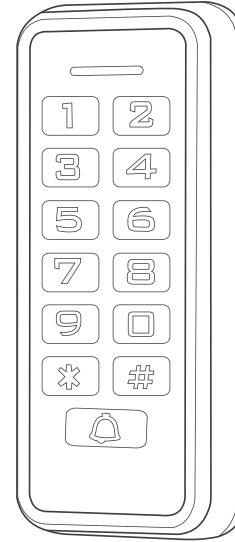


WiFi Access Control Manual



1.Product Introduction

The device is a WIFI access control keypad and proximity card reader,which supports EM & MF card types,it's one of the most advanced standalone access control.It adopts unique design, builds-in USA Atmel microprocessor, with strong anti-interference ability,high security and reliability,powerful function and convenient operation.It's widely used in high-end buildings, residential communities and other public places.

2.Features

Feature	Specification
Ultra-low power consumption	Standby current is less than 30mA
Protocol	Wiegand26 Input/Output
Searching time	Less than 0.1s after reading card
Backlight keypad	Easy to operate at night
Doorbell interface	Support external wired doorbell
Access ways	Card,code,card + code,Mobile APP

3.Technical Specifications

Operating Voltage: DC12-24V	Standby Current: ≤30mA
Card Reading Distance: 2~5cm	Capacity: 10000 Users
Operating Temperature: -40℃~60℃	Operating Humidity: 10%~90%
Lock Output Load:≤3A	Alarm Output Load: ≤20A
Short-circuit Protection Output Time:≤100μS	Door Relay Time:0~300s

4.Sound & Light Indication

Operate Status	LED Light Color	Buzzer
Standby	Red	
Keypad		Beep
Operation Successful	Green	Beep –
Operation Failed		Beep-Beep-Beep
Entering into Programming	Red	Beep –
Programmable Status	Orange	
Exit Programming	Flash Red Slowly	Beep –
Door Opening	Green	Beep –
Alarm	Flash Red Quickly	Alarm

5 Programming Guide

Function	Operation steps	Notes
Change admin code	* Admin code # 0 New code # New code #	Factory Default code is 999999. The user can set factory default value if admin code is forgotten
Add card user	* Admin code # 1 Read card ... #	Add card users continuously
Delete card user	* Admin code # 2 Read card ... #	Delete card users continuously
Delete all user	* Admin code # 20000 #	Delete all codes and cards
Add public code	* Admin code # 66 # 4-6 digits code #	There is only 1 public code
Delete public code	* Admin code # 67 # 4-6 digits code #	
Match WIFI	* Admin code # 63 #	

6. Advanced settings

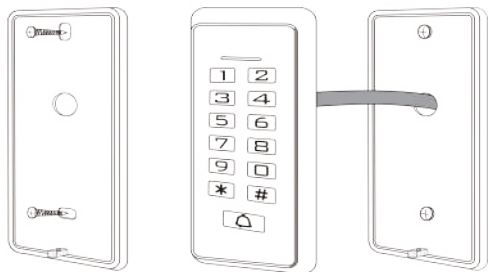
	Add Users	Notes
1	Add card	* Admin code # 1 Read card ... # Add card users continuously
	Add card number	* Admin code # 1 8 digits or 10 digits # Automatically generate ID number from 1 to 10,000
	Add ID number + card	* Admin code # 1 ID number # Read card # ... # Add card users by specify ID number, find and delete easily
	Add ID number + card number	* Admin code # 1 ID number # 8 digits or 10 digits # ... # Add card users by specific ID number and card number, find and delete easily.
	Add code	* Admin code # 1 ID number # code # ... # The code is any 4-6 digits, ID number is from 1-10,000, code 1234 is unavailable.
2	Delete Users	
	Delete card	* Admin code # 2 Read card # ... # Delete card users continuously
	Delete card number	* Admin code # 2 8 digits or 10 digits # Delete the card user by card number when the card is broken or get lost
	Delete ID number	* Admin code # 2 ID number # Delete the card user by ID number when the card is broken or get lost
	Delete ALL users	* Admin code # 2 0000 # Delete ALL codes, card users and public code.
3	Access ways	
	By card only	* Admin code # 30 # Enter by card only, keypad is invalid
	By card + code	* Admin code # 31 # To enable this function, the user code has to be changed. (See step 8)
	By card or code	* Admin code # 32 # Enter by card or code (factory default)
4	Relay Output Time	
	Set door unlock time	* Admin code # 4 0~300 # Time range is "0~300 sec", default 5 sec
5	Set alarm time	* Admin code # 5 0~99 # Time range is "0~99 min", default 0 min

Door Open Detection / WIFI / Public PIN / Data backup		
6	Disable door contact	* Admin code # 60 # Not detect the door status (Default)
	Enable door contact	* Admin code # 61 # Detect door open or closed, and alarm is activated under abnormal situation
	WIFI Match	* Admin code # 63 # WIFI Match
	Add public code	* Admin code # 66 # 4-6 digits # There is only 1 public code
	Delete public code	* Admin code # 67 # Delete public code
	Data backup sending	* Admin code # 68 #
	Data backup receiving	* Admin code # 69 #
Security Mode		
7	Normal mode	* Admin code # 70 # (Default)
	Locked mode	* Admin code # 71 # The device will be locked for 10 minutes if input 10 times invalid cards or codes continuously
	Alarm mode	* Admin code # 72 # The device will alarm if input 10 times invalid cards or codes continuously.
8	Enable light indicator	* Admin code # 80 # (Default)
	Disable light indicator	* Admin code # 81 # Turn it off when the indicator is unnecessary
	Enable buzzer	* Admin code # 82 # (Default)
	Disable buzzer	* Admin code # 83 # Turn it off when the beeper is unnecessary
	Enable keypad backlight	* Admin code # 84 # Keypad backlight on
	Disable keypad backlight	* Admin code # 85 # Keypad backlight off
	Keypad backlight automatically	* Admin code # 86 # (Factory default) read card or press the keypad, it will be off after 10 secs.
	Standalone mode	* Admin code # 87 # Factory default
	Relay toggle mode	* Admin code # 88 # The door will keep open until the user open the door next time.
	Reader mode	* Admin code # 89 # Factory default wiegand26 output
	Reader mode	* Admin code # 89 26 # Wiegand26 output
	Reader mode	* Admin code # 89 34 # Wiegand34 output
Change user code (No need to go to programming state)		
Change user code by card	* Read card 1234 # New code # New code # ★ factory default code: 1234	
Change user code by ID number	* ID number # Old code # New code # New code #	

9	Relieve alarm (No need to go to programming state)
	When external alarm or buzzer alarm, read <input type="text" value="Valid card"/> or Input <input type="text" value="Admin code"/> # ,relieve alarm.
10	Reset to factory default
	Power off, press <input type="text" value="E"/> or exit button, then power on, release it until heard short BEEP sound twice, then admin code has been reset to 999999, factory default settings are successful. ★ Reset to factory default won't delete user data

7.Installation

- Remove the back cover from the keypad using the supplied special screw driver
- Drill 2 holes on the wall for the self-tapping screws and 1 hole for the cable
- Put the supplied rubber bungs to into the two holes
- Fix the back cover firmly on the wall with 2 self tapping screws
- Thread the cable through the cable hole
- Attach the keypad to the back cover. (See the figure below)

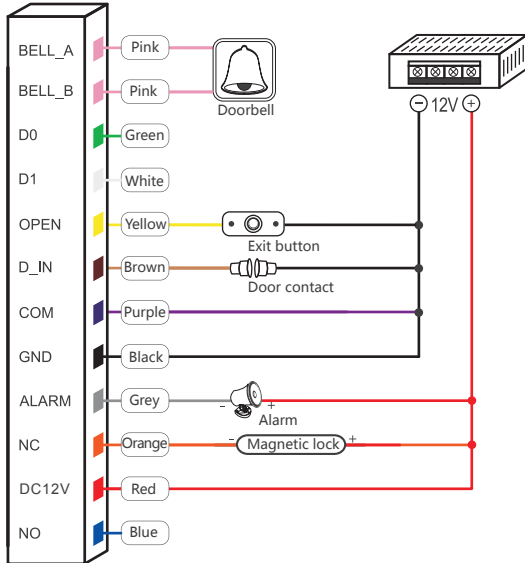


8.Wiring diagram

Item	Mark	Color	Function
1	BELL_A	Pink	Doorbell one end
2	BELL_B	Pink	Doorbell on the other end
3	D0	Green	Wiegand output
4	D1	White	Wiegand output
5	ALARM	Gray	Negative alarm(Positive alarm connects +12V) (Optional)
6	OPEN	Yellow	Exit button one end (On the other end connects GND)(Optional)
7	D_IN	Brown	Door contact switch one end(On the other end connects GND)(Optional)
8	DC12V	Red	Positive power supply
9	GND	Black	Negative power supply
10	NO	Blue	Relay NO end
11	COM	Purple	Relay COM end
12	NC	Orange	Relay NC end

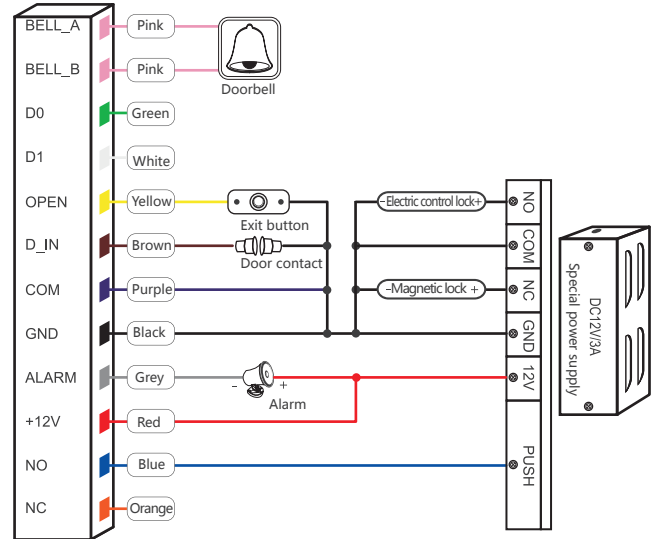
9. Diagram

9.1 Common Power Supply



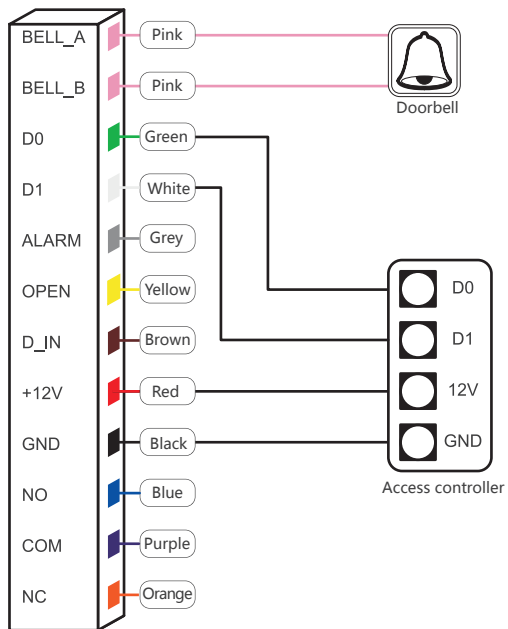
Note: The door contact and alarm function are optional

9.2 Special Power Supply



Note: The door contact and alarm function are optional

9.3 Reader Mode



10.Packing List

Name	Model/Size	Quantity	Remarks
Standalone access control		1	
User manual		1	
Self tapping screws	Φ4mm×25 mm	2	Used in fixing
Rubber plug	Φ6mm×28 mm	2	Used in fixing
Star screw driver	Φ20mm×60mm	1	Special for Keypad
Star screw	Φ3mm×5mm	1	Used in fixing front cover and back cover

Warm Tips

- * Please don't maintain devices privately, any issues, please turn back to factory.
- * To avoid unnecessary trouble, please check concealed wires or line pipes carefully if need to drill a hole before installation, moreover, please wear security glasses when drilling a hole or fixing wires.
- * If upgrade, manual will be changed a little.