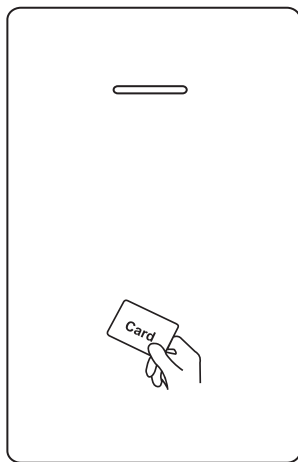


Large Capacity Access Control



1.1.Introduction

This series of product is a new generation of multifunctional standalone access control. It adopts new ARM core 32-bit microprocessor design, which is powerful, stable and reliable. It includes reader mode and standalone access control mode etc.. It's widely applied to different occasions, such as offices, residential communities, villa, bank and prison etc.

2.Features

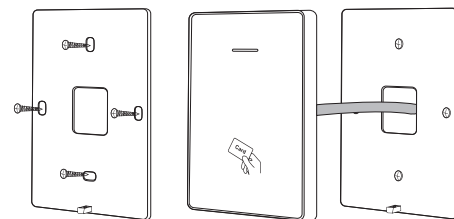
| | |
|-----------------------|---|
| Card Type | Read 125KHz EM Card |
| Keypad Characteristic | Operate by infrared remote control |
| Output Way | Contains reader mode, the transmission format could be adjusted by users. |
| Admin Card | Support admin add card, admin delete card and setting card |
| User Capacity | 10,000 card users |
| Unlocking signal | The unlocking signal adopts NO,NC,COM output of relay |

3. Specifications

| | |
|-------------------------------------|-----------------------------------|
| Operating Voltage: DC 12-24V | Standby Current: ≤35mA |
| Operation Current: ≤100mA | Operating Temperature: -20°C~60°C |
| Operating Humidity: 0%~95% | Maximum Rated Current: ≤1A |
| Door Relay Time: 0~99s (adjustable) | |

4.Installation

- Remove the back cover from the keypad using the supplied special screw driver
- Drill 2 holes on the wall for the self tapping screws and dig a hole for the cable
- Put the supplied rubber bungs into the two holes
- Fix the back cover firmly on the wall with 2 self tapping screws
- Thread the cable through the cable hole
- Attach the keypad to the back cover. (See the figure below)

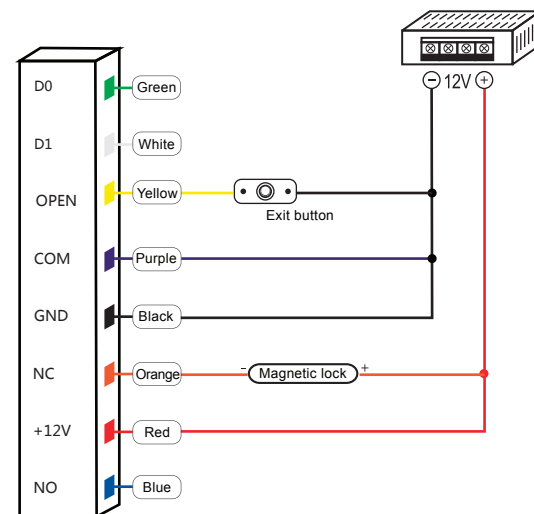


5. Wiring

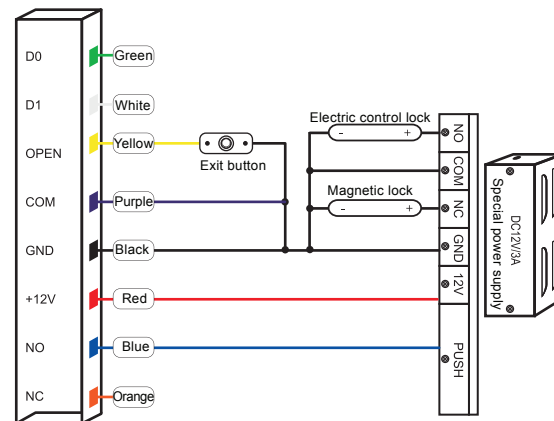
| Color | ID | Description |
|--------|------|---|
| Green | D0 | Wiegand Input(Wiegand Output in Card Reader Mode) |
| White | D1 | Wiegand Input(Wiegand Output in Card Reader Mode) |
| Yellow | OPEN | Exit button input end |
| Red | +12V | Positive power supply |
| Black | GND | Negative power supply |
| Blue | NO | Relay NO end |
| Purple | COM | Relay COM end |
| Orange | NC | Relay NC end |

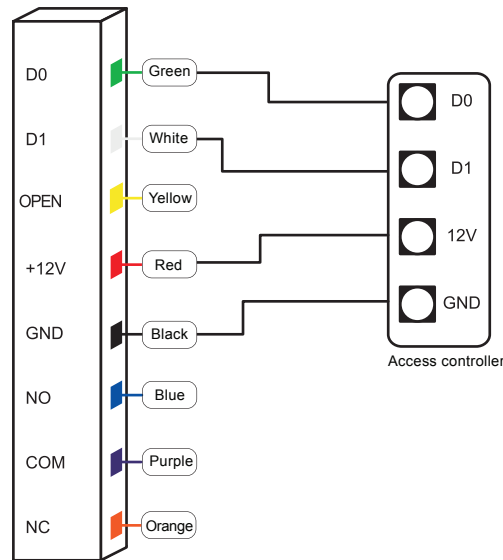
6.Diagram

6.1 Common Power Supply



6.2 Special Power Supply





7.Sound & Light indication

| Operate Status | LED Light Color | Buzzer |
|------------------------------|------------------------------|----------------|
| Standby | Red | |
| Operation successful | Green | Beep- |
| Operation failed | | Beep-Beep-Beep |
| Admin card enter programming | | Beep-Beep- |
| Admin card exit programming | | Beep- |
| Press * key | | Beep- |
| Data backup | Green indicator flash slowly | |

8. Admin Menu

Admin Card Operation

| Add and Delete Users | | | |
|-----------------------------|-------------------------|---|--|
| 1 | Add card user | Read admin add card Read user card ... Read admin add card | Read card continuously to add card user |
| | Delete card user | Read admin delete card Read user card ... Read admin delete card | Read card continuously to delete card user |
| | Delete ALL users | Read admin delete card Read admin add card Read admin add card | Delete ALL users |
| Door opening time setting | | | |
| 2 | Door opening time : 1s | Read admin add card Read setting card once Read admin add card | |
| | Door opening time : 5s | Read admin add card Read setting card twice Read admin add card | Default |
| | Door opening time : 10s | Read admin add card Read setting card thrice Read admin add card | |
| Data backup (See figure 10) | | | |
| 4 | Data backup output | Read setting card Read admin add card twice Read setting card | Green indicator light flash slowly |
| | Data backup input | Read setting card Read admin delete card twice Read setting card | Green indicator light flash slowly |

Operation by Remote controller

| Add Users | | Remarks | |
|-----------------------------|---|--|--|
| Change admin code | * Admin code # 0 New code | Default admin code: 999999 | |
| | # Repeat new code # | | |
| 1 | Add card user | * Admin code # 1 Read card # | Read card continuously to add card user |
| Add card number user | * Admin code # 1 8 digits/ 10 digits card number # | | |
| Delete Users | | | |
| 2 | Delete card user | * Admin code # 2 Read card or 8 digits/ 10 digits card number # | Read card continuously to delete card user |
| | Delete ALL users | * Admin code # 2 0000 # | Delete ALL users |
| Door opening time setting | | | |
| 3 | Door opening time setting | * Admin code # 4 0-99 # | Door opening time range: 0-99 s Default : 5s |
| Mode setting | | | |
| 4 | Standalone access control mode | * Admin code # 50 # | After unlocked the door, the door will be locked automatically |
| | Relay toggle mode | * Admin code # 51 # | After unlocked the door, users should read the card again or press exit button to lock the door. |
| Reader mode | * Admin code # 52 26/34 # | WG26/34 input and output | |
| Data backup (See figure 10) | | | |
| 5 | Data backup output | * Admin code # 70 # | Send the data to external device. |
| | Data backup input | * Admin code # 71 # | The device will receive the data. |

9.Admin Card Operation

9.1 Add Card

Read admin add card Read the 1st user card Read the 2nd user card ...

Read admin add card

Note: The admin add card is used to add card users continuously and quickly. When you read the admin add card at the first time, you will hear short "BEEP-BEEP" and the indicator light turns orange, it means you have entered into add user programming. When you read the admin add card at the second time, you will hear long "BEEP-" sound once and the indicator light turns red, it means you have exited the add user programming.

9.2 Delete Card

Read admin delete card Read the 1st user card Read the 2nd user card ...

Read admin delete card

Note: The admin delete card is used to delete card users continuously and quickly. When you read the admin delete card at the first time, you will hear short "BEEP-BEEP" sound twice and the indicator light turns orange, it means you have entered into delete user programming. When you read the admin delete card at the second time, you will hear long "BEEP-" sound once, the indicator light turns red, it means you have exited the delete user programming.

10.Data Backup Operation

Example: Backup the data of machine A to machine B (Machine A uses admin card of A, machine B uses admin card of B)

The green wire and white wire of machine A connects with the green wire and white wire of machine B correspondingly, set B for receiving mode at first, then set A for sending mode, the indicator light turns green flash during the data backup, data backup is successful when indicator light turns red.

11 Reset to Factory Default/Register admin card

Users can reset to the factory default when the admin code is forgotten, or the default settings has been modified, operation as below:

Power off, press and hold the exit button continuously, power on, release the exit button immediately when hearing beep sound twice, the admin code has been reset to 999999, factory default settings are successful.

Power off, press and hold the exit button continuously, power on, release the exit button immediately when hearing beep sound twice, swipe the first card as for admin add card, swipe the second card as for admin delete card.

Note: Registered user data won't be deleted when reset to factory default.