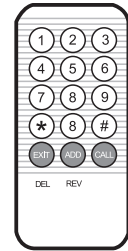
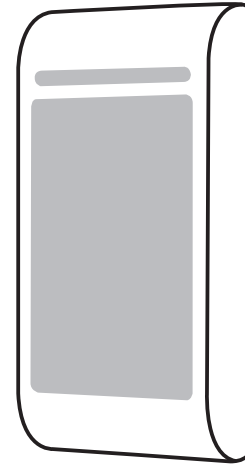


# Metal Access Control User Manual



## 1.Introduction

The series of product is a new generation of multi-functional standalone access control. It adopts new ARM core 32-bit microprocessor design, which is powerful, stable and reliable. It contains reader mode and standalone access control mode etc.. It's widely applied to different occasions, such as office, residential communities, villa etc..

## 2.Features

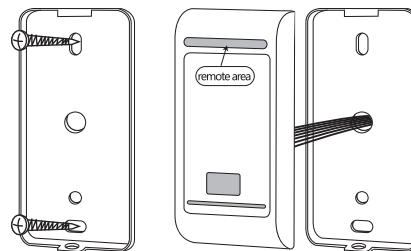
Feature	Specification
Card Type	Read 125KHz EM Card and HID Card (Optional)
	Read 13.56MHz Mifare card and CPU card (Optional)
Keypad Characteristic	Operate by infrared remote
Output Way	Contain reader mode, the transmission format could be adjusted by users.
Access Way	Support multi access ways: Card, multi cards
Admin Card	Support admin card
User Capacity	10,000 card users
Unlocking Signal	Relay NO/NC/COM output

## 3.Technical Specifications

Operating Voltage: DC 12-24V	Standby Current: ≤ 35mA
Operating Current: ≤100mA	Operating Temperature: -35°C~60°C
Operating Humidity: 0%~95%	Electric lock signal relay contact current: ≤1A
Alarm signal MOS tube output current: ≤1A	Unlocking time: 0~300s adjustable

## 4.Installation

- Remove the back cover from the keypad using the supplied special screw driver
- Drill 2 holes on the wall for the self-tapping screws and hole for the cable
- Put the supplied rubber bungs to into the two holes
- Fix the back cover firmly on the wall with 2 self-tapping screws
- Thread the cable through the cable hole
- Attach the keypad to the back cover. (as following illustration)

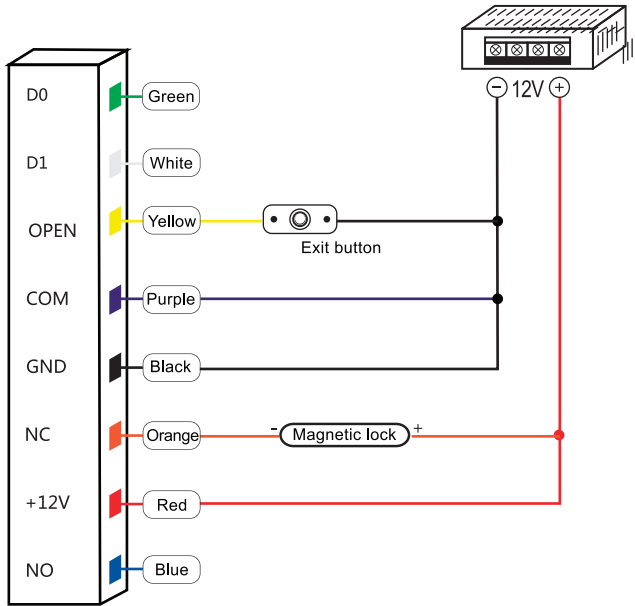


## 5.Wiring

No.	Color	Marks	Description
1	Green	D0	Wiegand input (Wiegand output as reader mode)
2	White	D1	Wiegand input (Wiegand output as reader mode)
3	Yellow	OPEN/ BEEP	Exit button input end (Beeper input as reader mode)
4	Red	+12V	Positive power supply
5	Black	GND	Negative power supply
6	Blue	NO	Relay NO end
7	Purple	COM	Relay COM end
8	Orange	NC	Relay NC end

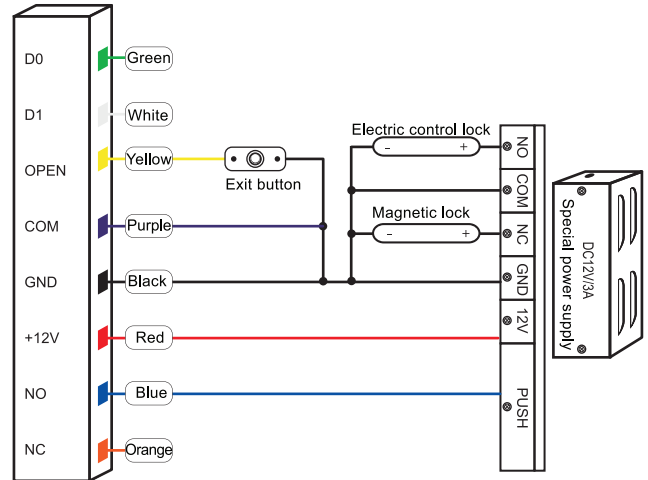
## 6. Diagram

### 6.1 Common Power Supply



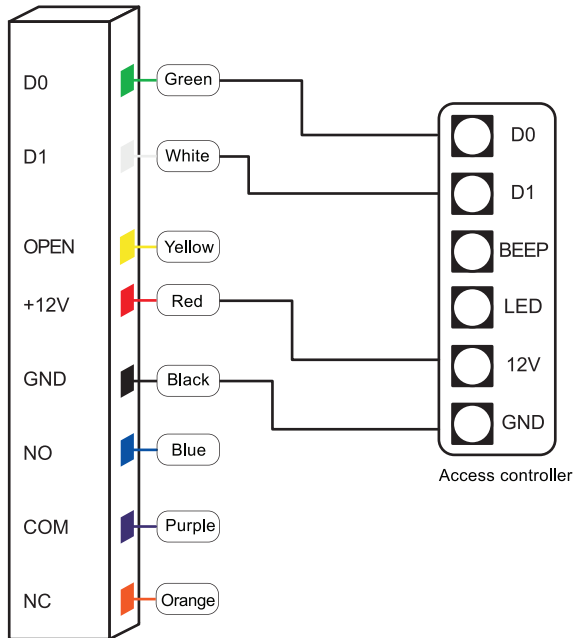
Note: The door contact and alarm function are optional

### 6.2 Special Power Supply



Note: The door contact and alarm function are optional

### 6.3 Reader Mode



### 7.Sound and Light Indication

Operation Status	Light indicator	Buzzer
Stand by	Red	
Operation successful	Green	Beep—
Operation failed		Beep-Beep-Beep
Admin card enter programming		Beep-Beep
Admin card exit programming		Beep—
Press digital key		Beep
Press * key		Beep—
On process of reading multi user card	Red indicator flash slowly	
Enter programming mode	Red indicator flash slowly	
Enter setting status	Orange	
Unlocking	Green	
Buzzer alarm	Red indicator flash quickly	Alarm

### 8.Admin Menu

#### 8.1 Standalone Mode Settings

#### Device Management

Enter programming	Menu	Operation steps	Description	Default value
Press * Admin code # (Default admin code is "999999")	0	New admin code # new admin code #	Change admin code	999999
	1	10001# Read card*	Set admin add card	
		10002# Read card *	Set admin delete card	
	2	10001# *	Delete admin add card	
		10002# *	Delete admin delete card	
	3	11 #	Standalone access control mode	11
		12 #	Relay toggle mode	
		13 #	Reader mode	
		(26-58) #	Wiegand 26-58 bits output	

## Add and Delete Users

Enter programming	Menu	Operation steps	Description	Default value	
Press * Admin code # (Default admin code is "999999")	1	Read card ... *	Add card users continuously	"... " means repeating the previous operation, Press * key to exit.	
		Press 8 or 10 digits card number # ... *	Add card users by card number		
		Press ID number # Read card ... *	Add card users by specific ID number		
		Press ID number # Press 8 or 10 digits card number # ... *	Add card users by specific ID number and card number		
	<b>Delete users</b>				
	2	Read card ... *	Delete card users by reading card	"... " means repeating the previous operation, Press * key to exit.	
		Press 8 or 10 digits card number #...*	Delete card users by card number		
		Press ID number # ... *	Delete users by ID number		
0000#		Delete ALL users			

## Access Ways

Enter programming	Menu	Operation steps	Description	Default value
Press *Admin code # (Default admin code is "999999")	3	0 #	Entry by card	0
		2-10 #	Entry by multi-card	

## Advanced Settings

Enter programming	Menu	Operation steps	Description	Default value
Press * Admin code # (Default admin code is "999999")	4	(0-300) #	Door opening time range: 0-300S 0 equals to 50mS	5
	5	(0-99) #	Alarming time range: 0-99 min.	0
	7	Press ID number # press 8 or 10 digits card number # input card quantity #	Add conductive number card	
	8	0#	Normal working mode	0
		1#	The external alarm and built-in buzzer will work if wrong operations are over 5 times.	
		2#	The device will be locked out for 10 min if wrong operations are over 5 times.	
		3#	Disable light indicator	4
		4#	Enable light indicator	
		5#	Disable buzzer	6
	6#	Enable buzzer		

## 8.2 Reader Mode Settings

Enter programming	Menu	Operation steps	Description	Default value
Press * Admin code # (Default admin code is "999999")	0	New admin code # Repeat new admin code #	Change admin code	999999
	3	(13) #	Reader Mode	
		(26-58) #	Wiegand 26-58 bits output	26

## 9.Admin Operation

### 9.1 Add Users

Read admin add card , Read the 1<sup>st</sup> user card Read the 2<sup>nd</sup> user card ..., Read admin add card

**Note:** The admin add card is used to add card continuously and quickly. When you read the admin add card at the first time, you will hear short "BEEP" sounds twice and the indicator light turns orange, it means you have entered into add user programming, when you read the admin add card at the second time, you will hear long "BEEP" sound once and the indicator light turns red, it means you have exited the add user programming.

### 9.2 Delete Users

Read admin delete card , Read the 1<sup>st</sup> user card Read the 2<sup>nd</sup> user card .... Read admin delete card

**Note:** The admin delete card is used to delete card continuously and quickly. When you read the admin delete card at the first time, you will hear short "BEEP" sounds twice and the indicator light turns orange, it means you have entered into delete user programming, when you read the admin delete card at the second time, you will hear long "BEEP" sound once, the indicator light turns red, it means you have exited the delete user programming.

## 10. Other Operation

### 10.1 Remove Alarm

Read valid card or Press admin code#

**Note:** When the alarm is activated, users can remove the alarm by reading a valid card or pressing valid admin code.

### 10.2 Reset to Factory Default

Users can reset to the factory default when the admin code is forgotten, or the default settings have been modified disorderedly, operations as below:  
Power off, press and hold the exit button continuously, power on, release the exit button until hearing beep sound twice, the admin code has been reset to 999999, factory default settings are successful.

**Note:** Registered user data won't be deleted when reset to factory default.